



*The Winco Patient Transfer Collection*

# Stretchair®



Stretchair® helps to reduce risk by having one versatile transport chair that travels from admitting to any location in the facility and effortlessly converts to a height-equalizing stretcher for safer patient transfers.

- Powered patient positioning lessens potential for caregiver's strain.
- Adjustable vertical height equalizes surfaces, allowing safer patient transfer.
- Provides practical mobility and maneuverability for patients up to 1000 pounds.
- Reduces patient anxiety experienced with other lift and transfer devices.

With Stretchair®, patient admission, transport, recovery and discharge activities can all take place in the same unit enhancing throughput, reducing patient transfers and limiting patient and staff opportunities for injury.

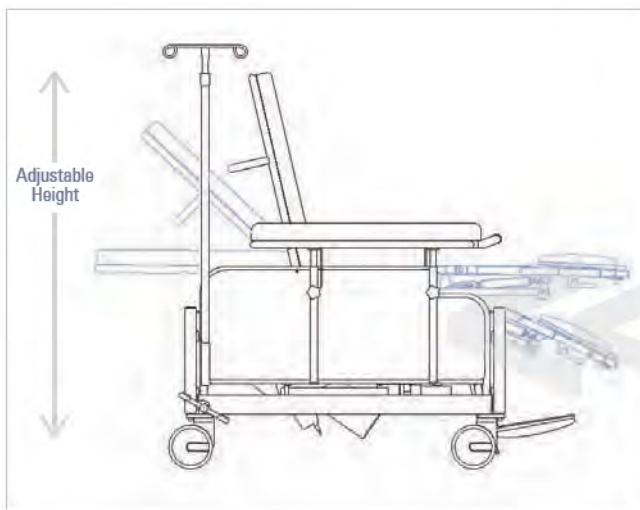


### FLIP-UP & ADJUSTABLE FOOTRESTS

Independent legrest and footrest action accommodates patients in traction, casts or similar orthopedic situations where separate positioning is desired.

### FOUR-BUTTON HAND CONTROLLER

Handheld control for effortless powered patient positioning for recline and height functions.



### CONVERTS TO A LAY-FLAT STRETCHER

The Stretchair® is a powered hi/lo and recline chair that effortlessly converts to a lay-flat stretcher position. The impressive weight supporting capacity combines with a smooth, powered lift and recline mechanism to offer improved and safer patient transport while facilitating transfer from tables, beds or other surfaces that differ in height.

- Powered adjustment of height and recline position operated with a four-button hand controller.
- Infinite adjustment of height and backrest positions.
- Independent legrest operation with flip-up and adjustable length footrests.
- Adjustable padded armrests lay flush for transfer in lay-flat position, raised as patient side guards, or removed altogether.
- Seat height adjusts from 22"– 30" (55.8 – 76.2 cm).
- Lay-flat stretcher position adjusts from 30"– 38" (76.2 – 96.5 cm).

- Impressive 550 lb. (249 kg), 750 lb. (340 kg), or 1000 lb. (453 kg) patient weight capacities.
- Lap/safety belt, integrated oxygen cylinder holder and IV pole with dual position mounts included as standard equipment.
- Large rear-mounted storage bin.
- Quick connect high-capacity battery.
- On-board battery recharging system with battery charge indicator.
- Coiled power cord easily and quickly stores out of the way.
- Centrally controlled multi-surface 6" (15.25 cm) casters with four-wheel lock and two-wheel steering.
- Full width push handle in seating position for easy maneuvering of chair.
- Powder-coated frame and metal components for long, durable life.
- Available in a variety of designer upholstery colors and optional anti-microbial vinyl coverings.

Fact

Nursing personnel lose an average of 750,000 work days per year as a result of back injury with costs ranging from \$5,000 to \$100,000.

*U.S. Department of Labor, Bureau of Labor Statistics, 2000*



The Winco Patient Transfer Collection

# Stretchair®

Fact

In 2009–2010, 35.7% of U.S. adults were obese.  
*Centers for Disease Control and Prevention, NCHS Data Brief, No. 82, January 2012*

## ANATOMY OF THE STRETCHAIR® DESIGN

Adjustable padded arm rests lay flush for transfer in lay-flat position, raised as patient side guards, or removed altogether.

Fully upholstered in a wide variety of colors and styles.

Standard patient accessible lap/safety belt

Integrated oxygen cylinder holder and IV pole with dual position mounts included as standard equipment.

Four-button handheld controller.



Flip-up and adjustable length footrests.

Independent legrest operation.

Large rear-mounted storage bin.

Onboard battery charger, quick connect battery and charge indicator.

Centrally controlled multi-surface 6" casters with four-wheel lock and two-wheel steering settings.

## KEY FEATURES

Lay-flat height adjustable positioning for safer patient transfer | Flip-up footrest | Independent legrest | Adjustable height footrest | 8" vertical lift | Onboard rechargeable battery-operation | Up to 1000 lb. capacity | Seat width up to 31"

## MODELS & SPECIFICATIONS



### Model S550

Seat Width (Between Arms): 24" (60.9 cm)  
 Seat Height: 22" (55.8 cm)  
 Seat Depth: 20" (50.8 cm)  
 Overall Height: 53.5" (135.9 cm)  
 Overall Width: 34" (86.3 cm)  
 Weight\*: 290 lbs (131.5 kg)  
 Weight Capacity: **550 lbs** (248 kg)



### Model S750

Seat Width: (Between Arms) 28" (71.1 cm)  
 Seat Height: 22" (55.8 cm)  
 Seat Depth: 20" (50.8 cm)  
 Overall Height: 53.5" (135.9 cm)  
 Overall Width: 37" (93.9 cm)  
 Weight\*: 303 lbs (137.4 kg)  
 Weight Capacity: **750 lbs** (340 kg)



### Model S999

Seat Width: (Between Arms) 31" (78.7 cm)  
 Seat Height: 22" (55.8 cm)  
 Seat Depth: 20" (50.8 cm)  
 Overall Height: 53.5" (135.9 cm)  
 Overall Width: 40" (101.6 cm)  
 Weight\*: 312 lbs (141.5 kg)  
 Weight Capacity: **1000 lbs** (453 kg)

\* Weight shown as a minimum-maximum range and varies depending on chair options ordered.

## Specifications for All Stretchair® Models

Back Height Above Seat: 31.5" (80.0 cm) | Overall Length Upright: 45" (114.3 cm) | Overall Length Flat: 72" (182.8 cm) or 76" (193.0 cm) with legrests extended | Adjustable Arm Range/Fixed Height: 30" - 40" (76.2 - 101.6 cm) | Range of Seat Angle: Stays parallel with floor | Range of Back Angle, Powered: 80 degree to zero (flat)

## FEATURE COMPARISONS

MODEL	WEIGHT CAPACITY	SEAT WIDTH	OVERALL WIDTH	OVERALL LENGTH (LAY-FLAT)	VERTICAL LIFT (LAY-FLAT)
S550	550 lbs (249 kg)	25" (63.5 cm)	34" (86.3 cm)	72"-76" (182.8 - 193.0 cm)	30"-38" (76.2 - 96.5 cm)
S750	750 lbs (340 kg)	28" (71.1 cm)	37" (93.9 cm)	72"-76" (182.8 - 193.0 cm)	30"-38" (76.2 - 96.5 cm)
S999	1000 lbs (453 kg)	31" (78.7 cm)	40" (101.6 cm)	72"-76" (182.8 - 193.0 cm)	30"-38" (76.2 - 96.5 cm)

## RECOMMENDED APPLICATIONS

MODEL	DIALYSIS	ONCOLOGY/ INFUSION	PATIENT TRANSPORT	ORTHOPEDICS/ REHABILITATION	EMERGENCY ROOM	SAME-DAY SURGERY	BARIATRIC	LONG-TERM CARE
S550	○	○	●	○	●	○	●	○
S750	○	○	●	○	●	○	●	○
S999	○	○	●	○	●	○	●	○

● Optimal Application ○ Suitable Application



## Contact Us

To arrange a demonstration or to speak with one of our associates, please feel free to contact us at:  
**800-237-3377 | WincoMfg.com | 5516 SW 1st Lane, Ocala, FL 34474 | Info@WincoMfg.com**